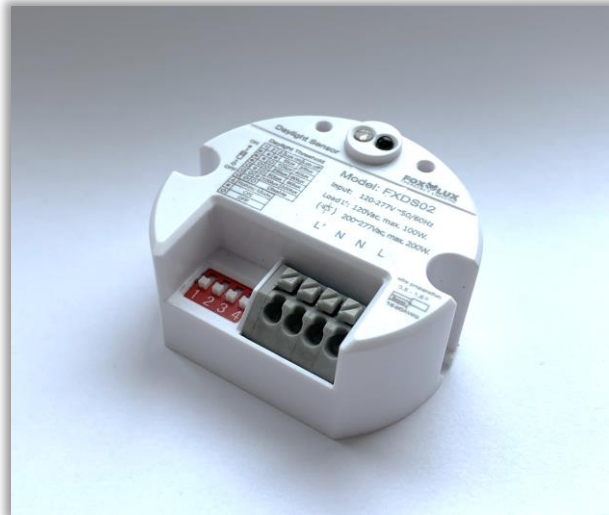


FXDS02 Daylight Sensor



5-year warranty¹⁾

Dual Processor Technology

The light emitted by LEDs has is at a different wavelength from natural light. We use a special photocell to measure and differentiate natural light from LED light from within the luminaire so that internal LED light can be disregarded. The device only responds to natural light.

When the ambient natural light is below the desired level, the light switches on and switches off when natural light exceeds desired threshold.

Technical Characteristics

Input voltage:	220-240V AC 50/60Hz
Rated load:	100W @ 120V AC (capacitive) 200W @ 200-277V AC (capacitive)
Stand-by power:	<0.5W
Operational temperature range:	-20 C + 70 C.
IP rating:	IP20

Holiday Mode

This feature can be used in areas which may be unoccupied for extended periods.

In this mode, the sensor will switch the luminaire on & off automatically and at random intervals when natural light is below the desired lux threshold.

There are two methods in which to enter or quit *holiday mode*:

1. Position the DIP switch #4 to "ON".
 - 🦊 The daylight sensor will always be in manual holiday mode even after power supply failures, the only way to quit this mode is to position the DIP switch #4 at "OFF".

2. Rapidly turn on / off the power supply twice within 2 seconds.
 - The fixture will blink twice to indicate the success enter of this manual holiday mode.
 - Turning off the power supply will exit *holiday mode*.
 - The 'off' period is randomly decided by the algorithm. Each random ON is minimum 2 hours.

Manual holiday mode

Use the DIP switch to easily enter or quit this manual holiday mode.
 Default lux threshold for this mode is 10 lux for "Lux on" and 40 lux for "Lux off"

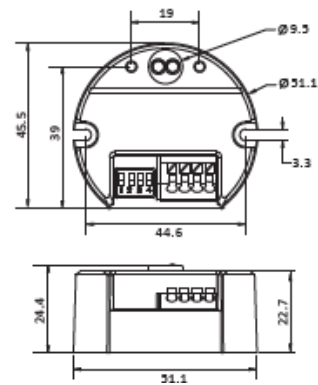
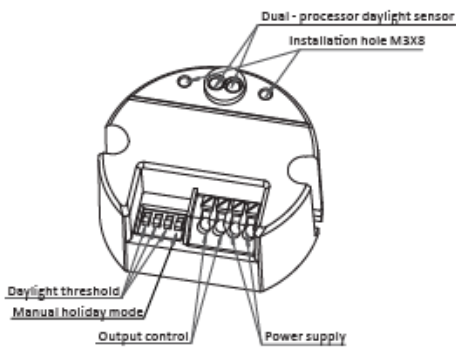
	4	Mode	 ON OFF
I	●	ON	
II	●	OFF	

Daylight Threshold

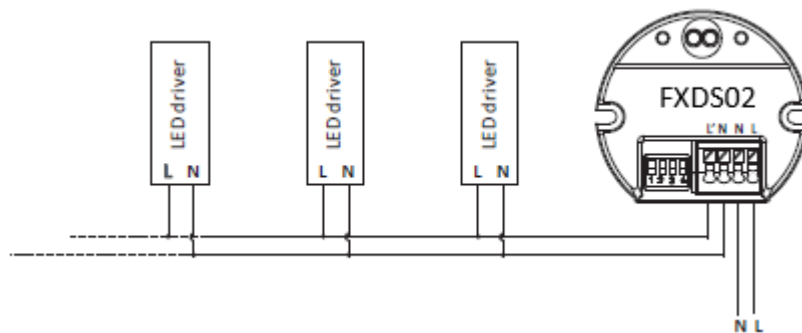
This is the level of natural light at which sensor will switch on & off.
 "Lux on" value means the daylight sensor will switch on when detected natural light is less than it.
 "Lux off" value means the daylight sensor will switch off when detected natural light is more than it.

	1	2	3	Lux on	Lux off	 ON OFF
I	●	●	●	5lux	25lux	
II	●	●	○	10lux	40lux	
III	●	○	○	25lux	60lux	
IV	○	●	○	50lux	90lux	
V	○	○	●	100lux	200lux	
VI	○	○	○	Disable*		

Note: Lux-on sampling time: 10s; Lux-off sampling time: 30s.



Connection Diagram



[1] Terms and conditions apply. See website for details.

Contact

hello@fox-lux.co.uk
www.fox-lux.co.uk

