



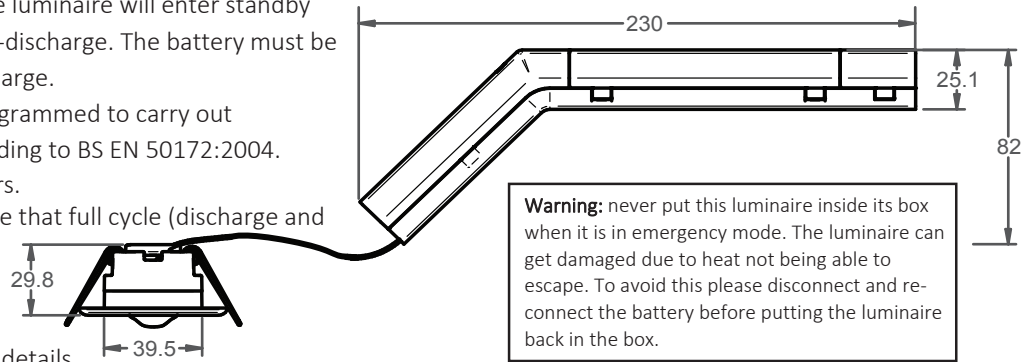
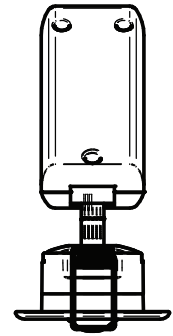
FXD02 LED EMERGENCY DOWNLIGHT

Thank you for purchasing our FXD03 LED Emergency Downlight. Our products have been designed according to the relevant standards. If installed and maintained correctly they will provide a long service life.

BS EN 60598-1 / BS EN 60598-2-22 / BS EN 50172 / BS EN 1838 / BS EN 62034 / ISO 7010 / ISO 3864

Installation, Maintenance and Servicing Notes

- Ensure that the mains supply is switched off before installing, maintaining or servicing the luminaire.
- Luminaires should only be installed by qualified personnel.
- The LED light source and control gear are non-replaceable. Once end-of-life is reached, the luminaire should be replaced.
- In case of mains supply failure, the battery will automatically energise the emergency light for a minimum 3hr period. After 3hrs 5m the luminaire will enter standby mode to protect the battery from over-discharge. The battery must be recharged within 6 months of full discharge.
- Self-test emergency luminaires are programmed to carry out functional and full duration tests according to BS EN 50172:2004.
- First battery charge will take up to 16hrs.
- Battery re-charge takes up to 8hrs. Note that full cycle (discharge and recharge) takes up to 12hrs.
- Contact Fox Lux if a replacement battery is required.
- Warranty terms apply. See website for details.



TESTING

Standard	Testing and commissioning must be carried out manually according to BS EN 50172:2004.
Self-test	Functional test is carried out automatically once a week and runs for 30s. Full duration test is carried out automatically every 52 weeks. First full duration test is carried out automatically within the first 4 weeks after the luminaire being connected to mains. This luminaire can be used with the optional Remote Control (REM10) which adds extra features to Fox Lux emergency luminaires. Please refer to the REM10 user guide.

LED Status Indications

GREEN LED	RED LED	Green Red	STATUS	ACTION REQUIRED
Solid ON	OFF	● ○	OK	
Normal Flash	OFF	⊙ ○	Charging	
OFF	Solid ON	○ ●	Battery disconnected / Duration test failure	Connect battery / Replace battery
Fast Flash	OFF	⊙ ○	Functional/Duration test in progress	
Normal Flash	Normal Flash	⊙ ●	Battery Temperature	Contact Fox Lux
OFF	Normal Flash	○ ●	Light source fault	Replace Luminaire

- ⊙ Normal flash = 1Hz (once/second)
- ⊙ Fast flash = 2Hz (twice/second)



Ensure this product is disposed responsibly according to WEEE directive 2002/96/EC

